

## auto electrical parts

### Technical Information Sheet

Part No. 0-534-13

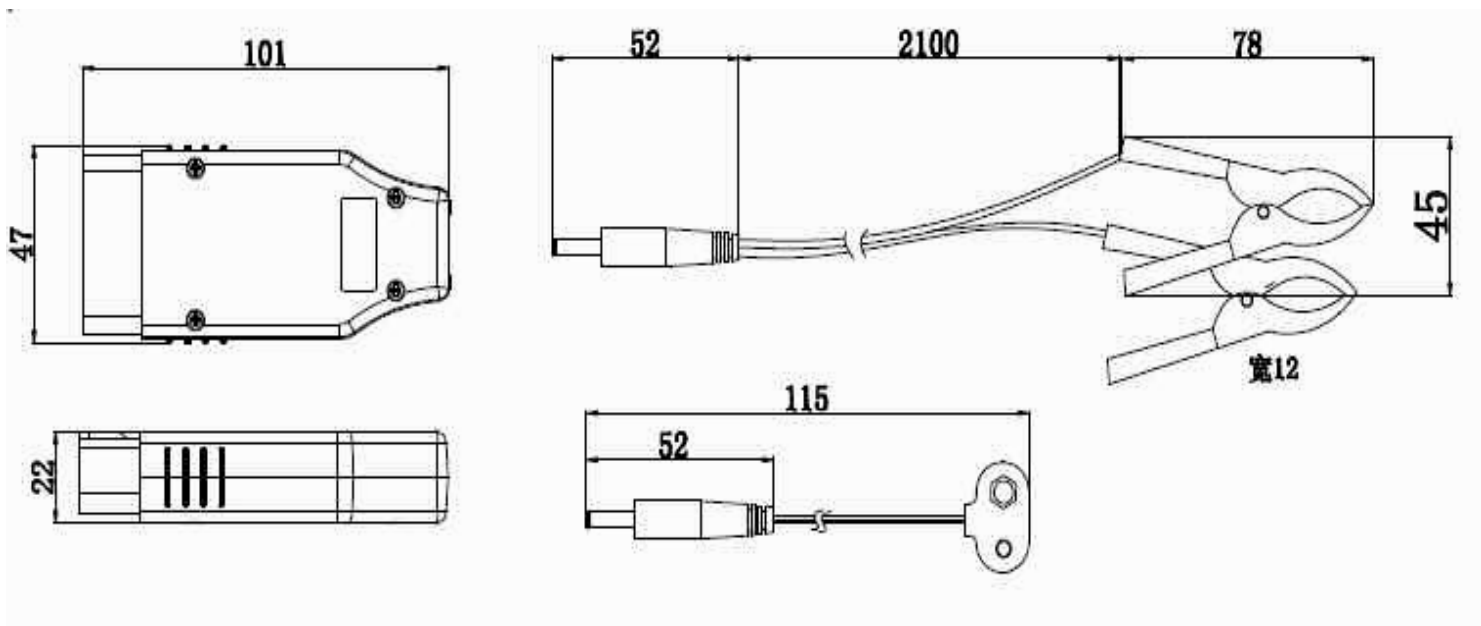
12V Power BackUp Supply

Durite's 12V Automobile Power Supply. To avoid loss of memory during the battery replacement. Built in circuit protection. Suitable for various cars.

- Mistake proofing prevents the wrong polarity being connected.
- LED indication, clear indication from all direction.
- Power Diagnosis, Low power warning when power low.
- Easy operation, independant connecting wire to prevent short circuiting.
- Safe fuse, protects computer from short circuit



Technical Drawing (not to scale)



### Specification

Voltage  
Material:  
Colour  
Certificate  
Dimensions

Battery 9 Volts  
ABS Plastic  
Black  
n/a  
Please see above (dimensions in mm)

The information contained in this document is correct to the best of our knowledge at the time of printing. However, specifications may change at any time without notice.